

Low-profile swivel base



2207003

CAUTION:
READ THIS MANUAL CAREFULLY
BEFORE OPERATING YOUR
NEW CANNON® ACCESSORY.
RETAIN FOR FUTURE REFERENCE.

NOTE: Do not return your CANNON® accessory to your retailer. Your retailer is not authorized to repair or replace this unit. You may obtain service by:

- calling CANNON® at 1-800-227-6433;
- returning your accessory to the Factory Service Center; 121 Power Drive, Mankato, MN 56001

Please include proof of purchase, and purchase date for warranty service with any of the above options.

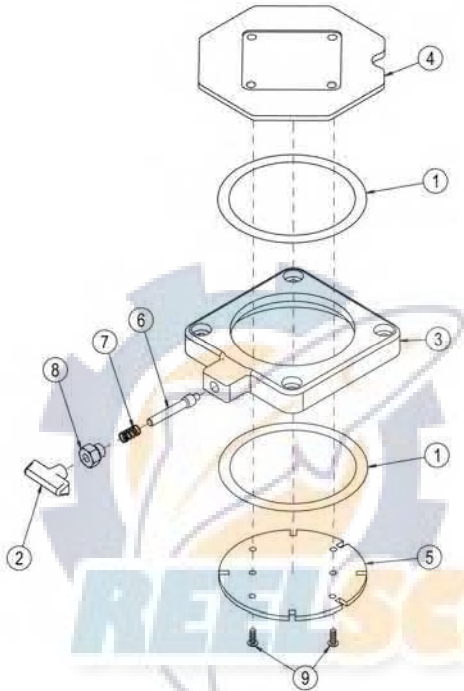


1903002

Instruction Manual

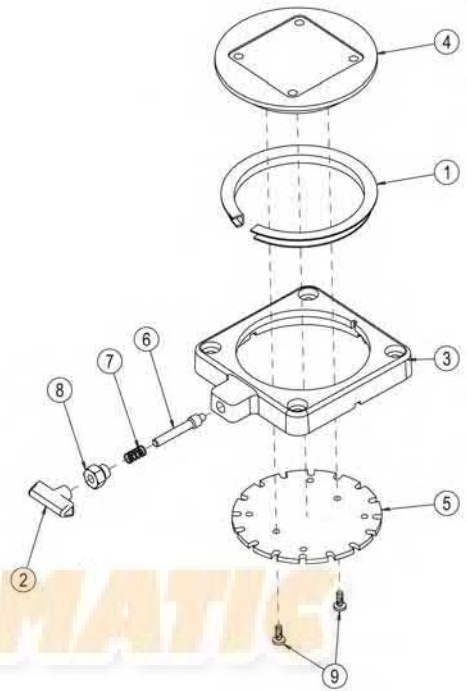
Parts List—2207003

ITEM #	PART#	DESCRIPTION
1	9010004	BEARING - SWIVEL BASE [2.EA]
2	2249001	KNOB - RELEASE PIN (LEXAN)
3	2267001	BASE PLATE (LEXAN)
4	2267002	SWIVEL PLATE (LEXAN)
5	3391919	INDEXING PLATE (TAPPED)
6	3392600	RELEASE PIN
7	2287002	SPRING - RELEASE PIN
8	2277001	NUT - RETAINER RELEASE
9	2372100	SCREW - #8 x 5/8" PPHMS [2.EA]



Parts List—1903002

ITEM #	PART#	DESCRIPTION
1	3390000	BEARING-FLANGE 4.00 ID
2	3390110	KNOB-RELEASE PIN TS
3	3391910	BASE-SWIVEL TS
4	3391911	PLATE-SWIVEL TS
5	3391919	PLATE-INDEX TS
6	3392610	PIN-RELEASE SS
7	3392720	SPRING-COMP .26IDX.62LG
8	3393112	NUT-RET 7/16-14 THD TS
9	3393401	SCREW-#8-32 X 5/8 PPMs [2.EA]



Mounting the Tablock Base

(For Easi-Troll & Lake-Troll Users)

When mounting a tablock base, it is necessary to place 4 split lock washers between the two bases (as shown to the right). Mount the tablock base with 1/4"-20 x 1 1/2" truss head screws to the swivel base. This will allow the swivel base to rotate easily with the tablock base.

